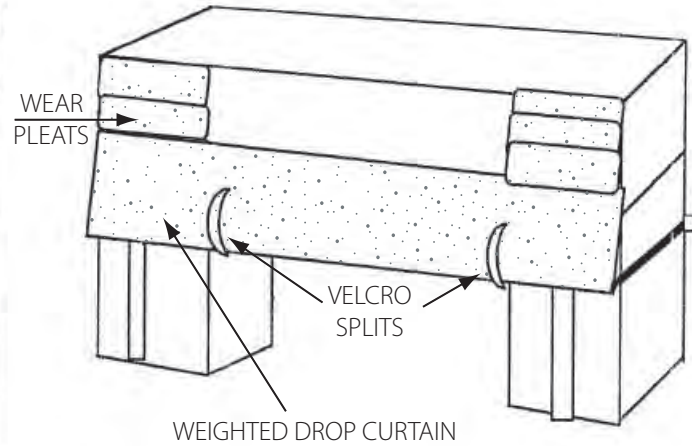
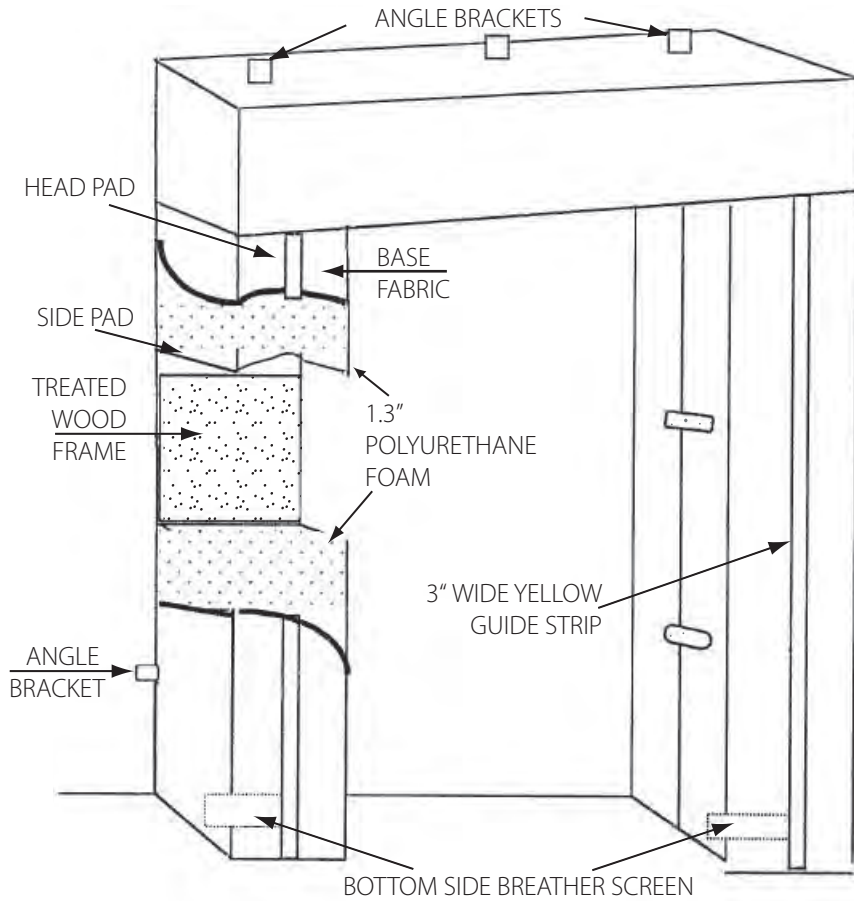
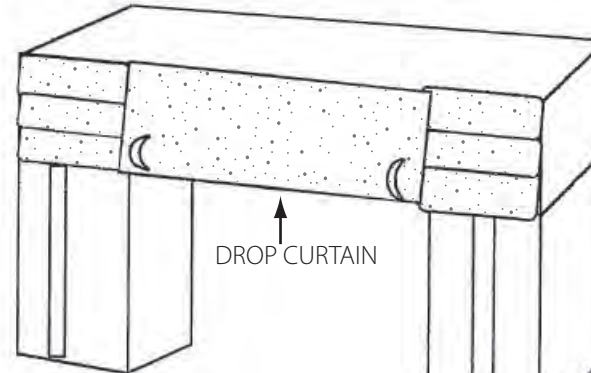


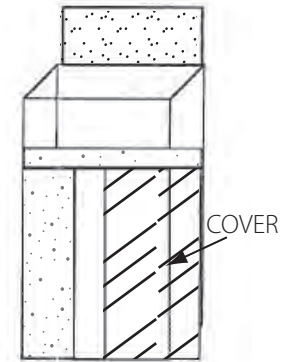
MODEL 20 COMPRESSION SEAL FIXED HEAD PAD



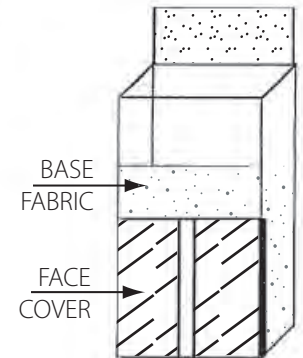
FIXED HEAD PAD WITH DROP CURTAIN



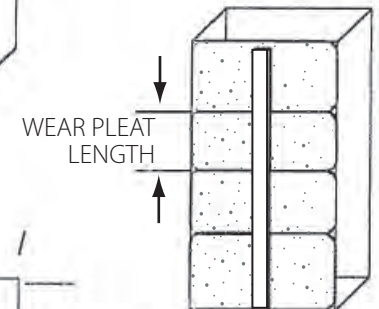
CURTAIN STYLE HEADER



REINFORCED INSIDE

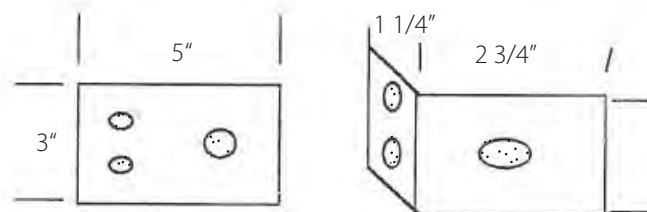


WEAR FACE



WEAR PLEAT SIZES

- 4" EXPOSURE (9" PLEATS)
- 8" EXPOSURE (13" PLEAT)
- 16" EXPOSURE (16" PLEAT)



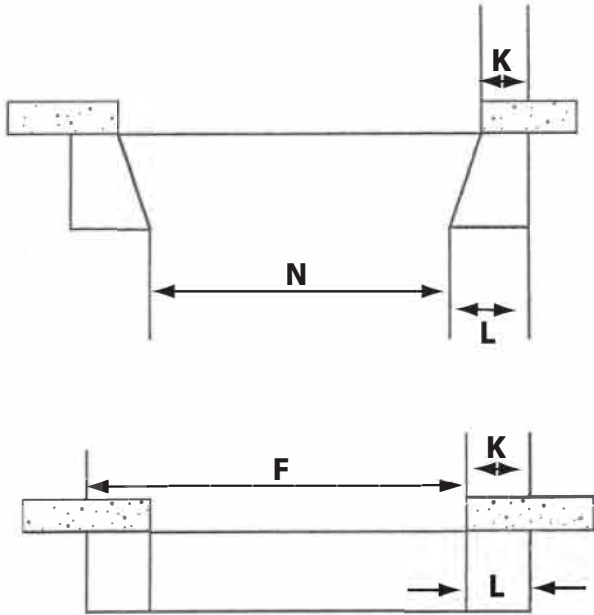
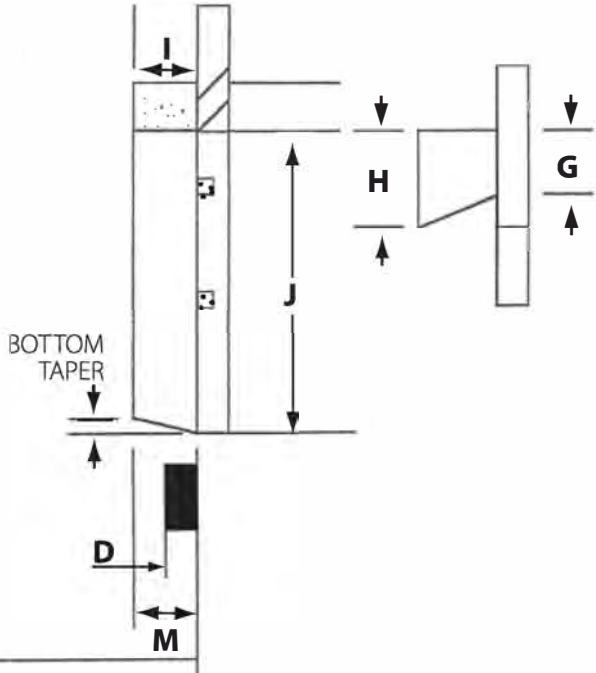
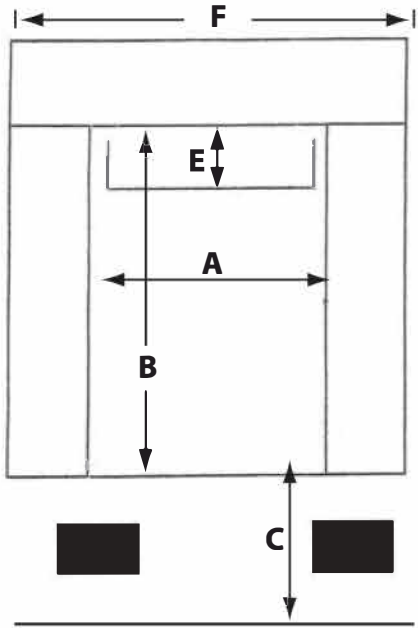
ANGLE AND FLAT MOUNTING BRACKETS

Charges will be assumed by buyer for changes or cancellations to work in process. Buyer hereby accepts responsibility for all sizes and dimensions. This order will not be processed until all acknowledgement forms are signed and returned.

Specification Accepted By: _____

Date: _____

SERIES C FIXED HEAD PAD



DOOR DIMENSIONS

- A.** DOOR WIDTH _____
- B.** DOOR HEIGHT _____
- C.** DOCK HEIGHT _____
- D.** DOCK BUMPERS + SETBACK = TOTAL PROJECTION _____
- BLOCK OUT (if required) PROJECTION _____
- FABRIC _____
- COLOR _____

HEAD PAD DATA

- F.** WIDTH HEAD PAD _____
- G.** HEIGHT @ REAR _____
- H.** HEIGHT @ FACE _____
- I.** TOTAL PROJECTION _____

- MOUNTING OVER SIDE PAD
- MOUNTING BETWEEN SIDE PAD

OPTIONS

- FACE PROTECTOR
FABRIC _____
COLOR _____
- CORNER SUPER PLEATS
FABRIC _____
COLOR _____
PLEAT EXPOSURE _____
- GALVANIZED STEEL BACK
- WEIGHTED DROP CURTAIN

SIDE PAD DATA

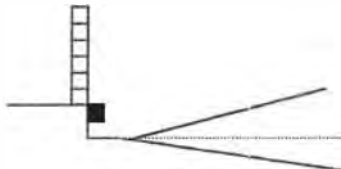
- G.** TOTAL PROJ @ TOP _____
- J.** HEIGHT _____
- K.** WIDTH @ REAR _____
- L.** WIDTH @ FACE _____
- M.** TOTAL PROJ. @ BOTTOM _____
- N.** SIDE PAD I.D. _____

OPTIONS

- WEAR FACE
FABRIC _____
COLOR _____
- REINFORCED INSIDE
FABRIC _____
COLOR _____
- WEAR PLEATS
FABRIC _____
COLOR _____
PLEAT EXPOSURE _____
- GALVANIZED STEEL BACK

DRIVE APPROACH

- LEVEL
- DECLINE
- INCLINE



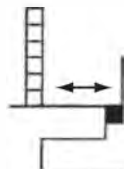
BUMPER PROJECTIONS

DECLINE LEVEL



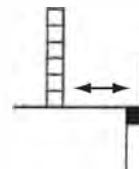
BUMPER PROJECTION

CANTILEVER DOCK



PROJECTION

FOUNDATION OFFSET



PROJECTION

METAL PANEL

1 1/2" TYPICAL PROJECTION