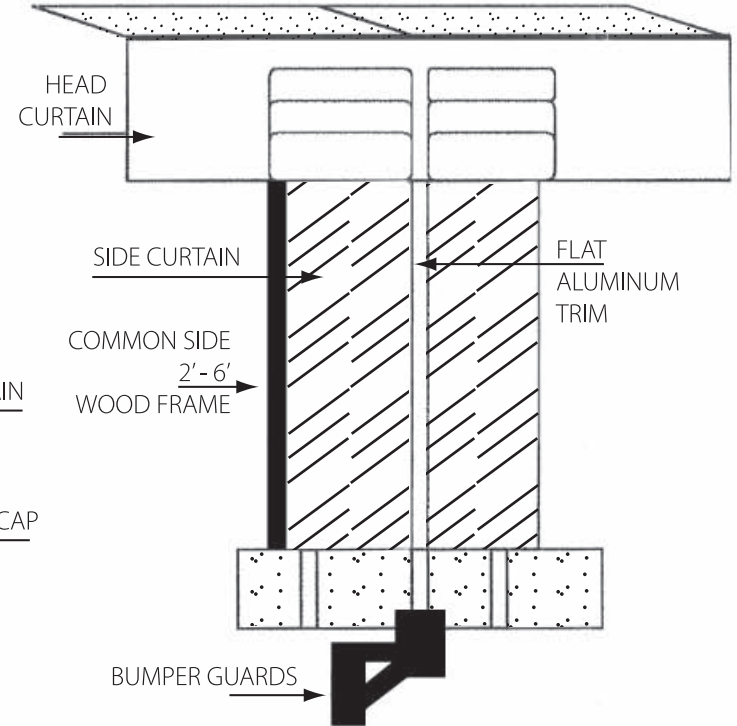


MODEL 40 RIGID SHELTER

COMMON SIDE MEMBER

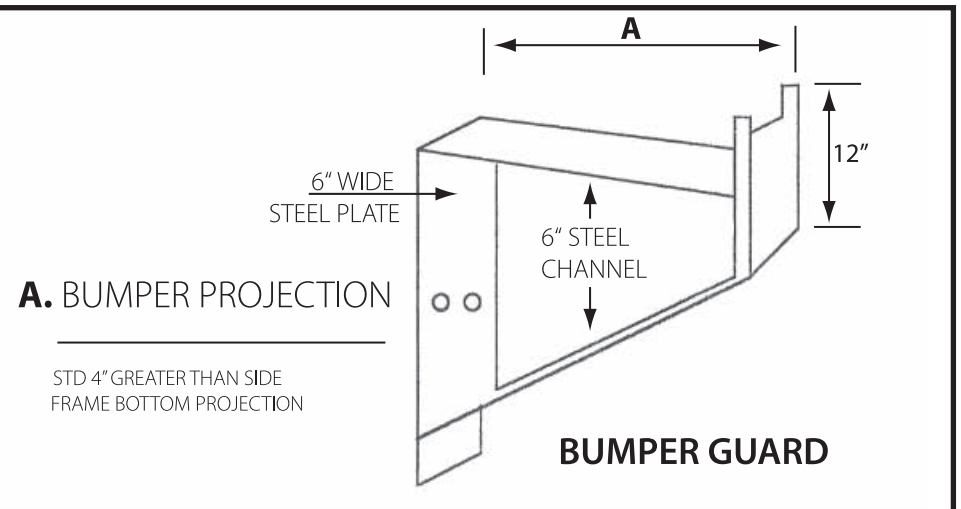


National ACCESS DESIGN

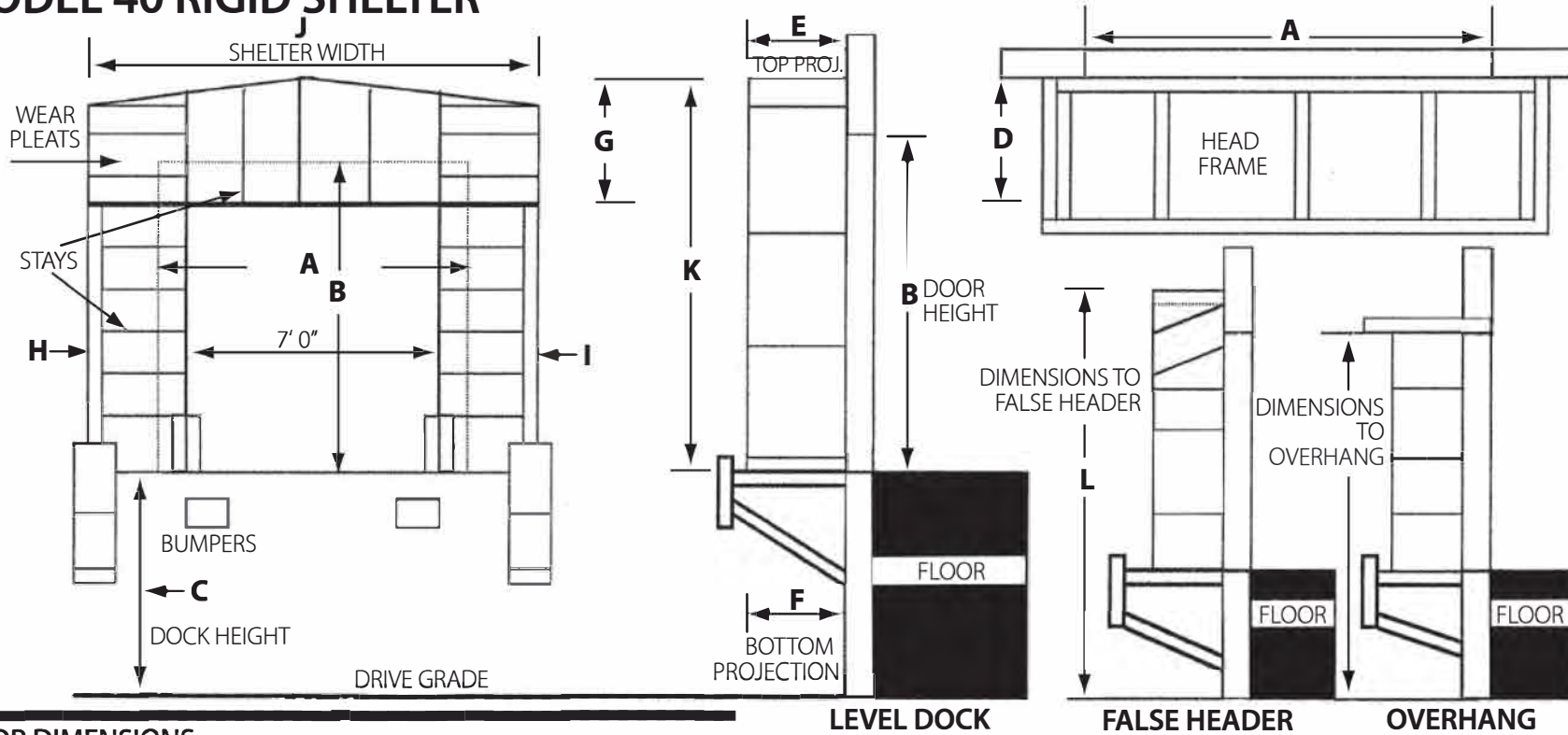
Charges will be assumed by buyer for changes or cancellations to work in process. Buyer hereby accepts responsibility for all sizes and dimensions. This order will not be processed until all acknowledgement forms are signed and returned.

Specification Accepted By: _____

Date: _____



MODEL 40 RIGID SHELTER



DOOR DIMENSIONS

- A. DOOR WIDTH _____
- B. DOOR HEIGHT _____
- C. DOCK HEIGHT _____

SHELTER SPECS.

- D. HEAD FRAME PROJECTION _____
- E. SIDE FRAME TOP PROJ. _____
- F. SIDE FRAME BOTTOM PROJ. _____
- G. HEAD CURTAIN LENGTH _____
- H. LEFT SIDE CURTAIN WIDTH _____
- I. RIGHT SIDE CURTAIN WIDTH _____
- J. SHELTER WIDTH _____
(RECOMMENDED 11'0" MIN.-15' MAX.)
- K. SHELTER HEIGHT _____
(RECOMMENDED 11'6" MIN.-13' MAX. EXCEPT GROUND LEVEL TYPE)
- L. DIMENSION TO FALSE HEADER _____
- M. DIMENSION TO OVERHANG _____

DOOR TYPE	OPTIONS
<input type="checkbox"/> OVERHANG	<input type="checkbox"/> F. G. SIDE PANELS
<input type="checkbox"/> GROUND LEVEL	<input type="checkbox"/> VINYL SIDE PANELS
<input type="checkbox"/> SET BACK WALL	<input type="checkbox"/> COMMON SIDE MEMBER
FABRIC	<input type="checkbox"/> RIGID STEEL FRAME
<input type="checkbox"/> 22 OZ. VINYL	<input type="checkbox"/> FALSE HEADER
<input type="checkbox"/> 40 OZ. VINYL	
<input type="checkbox"/> 40 OZ. LTA	
<input type="checkbox"/> 40 OZ. HYPALON	

