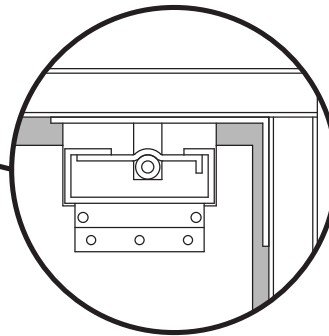
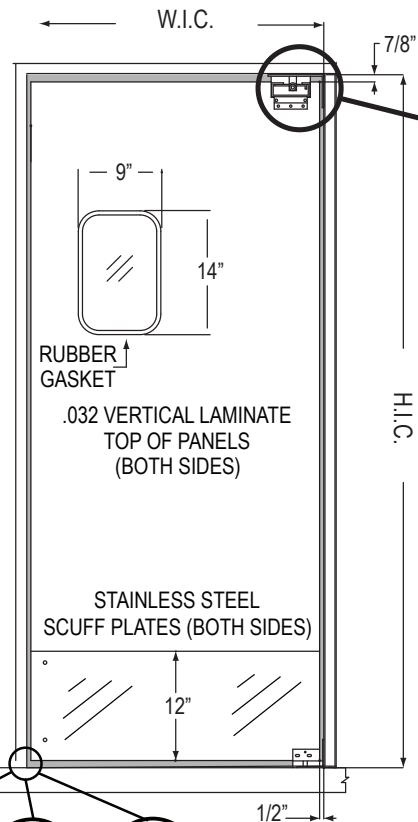


DOUBLE ACTING "RIGID" TRAFFIC DOOR

National ACCESS DESIGN LLC

513-351-3400 fax: 866-300-4539 sales@nationalaccessdesign.com

NationalAccessDesign.com



GS-HINGE ASSEMBLY

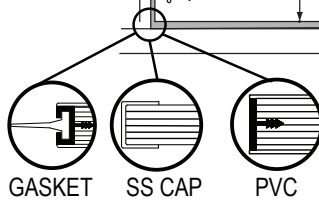
RUBBER GASKET
.032 VERTICAL LAMINATE TOP OF PANELS (BOTH SIDES)

STAINLESS STEEL SCUFF PLATES (BOTH SIDES)

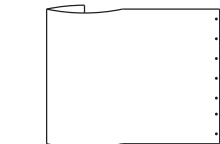
Doors to be constructed of a 3/4 Hardwood Plywood Core.

Standard features are:

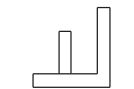
- 12" High Stainless Steel Impact Plates.
- GS type hinge.
- Bottom pin assembly.
- 9"x14" x 1/4" Acrylic Window Set in Rubber Gasket.
- Full Perimeter Gasket - 9000-HPLG



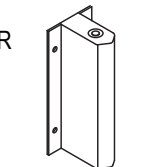
GASKET SS CAP PVC



FB-TEARDROP BUMPER



BOTTOM PIN (STND.)



JAMB GUARD

*CAFE DOOR ON SEPARATE SPEC SHEET.

Updated: 2/13/2024

DOOR SPECIFICATION

Opening Width _____ x Height _____
Qty. _____

SINGLE PANEL
L R

PRESSURE LAMINATE'S

Manufacturer _____
Stock# _____
Color# _____

TEARDROP BUMPER

FB12" FB18" FB24"
FB30" FB36" FB42"

STAINLESS STEEL IMPACT PLATE OPTIONS

12" (STANDARD) 18"

EDGE TRIM

STAINLESS STEEL CAPS - 9000HPL
PVC (RIGID) - 9000HPL
FULL GASKET - 9000HPLG

WINDOW SIZE

9"x14" (STANDARD) 14"x16"
22"x22"

HARDWARE OPTIONS

(STANDARD) GS HINGE W/ BOTTOM PIN
GS HINGE W/ (OPTIONAL) 10" JAMB GUARD
(OPTIONAL) STAINLESS STEEL GS HINGE W/ SS BOTTOM PIN
(OPTIONAL) STAINLESS STEEL GS HINGE W/ SS 10" JAMB GUARD
(OPTIONAL) STAINLESS STEEL 10" JAMB GUARD W/ STANDARD HINGES

Charges will be assumed by buyer for changes or cancellations to work in process. Buyer hereby accepts responsibility for all sizes and dimensions. This order will not be processed until all acknowledgement forms are signed and returned.

Specification accepted by: _____

Date: _____

NAD-9000-HPL or HPLG IMPACT DOOR

JOB NAME/LOCATION

CUSTOMER/LOCATION

CUST. ORDER NO.

CUST. PO ORDER NO.