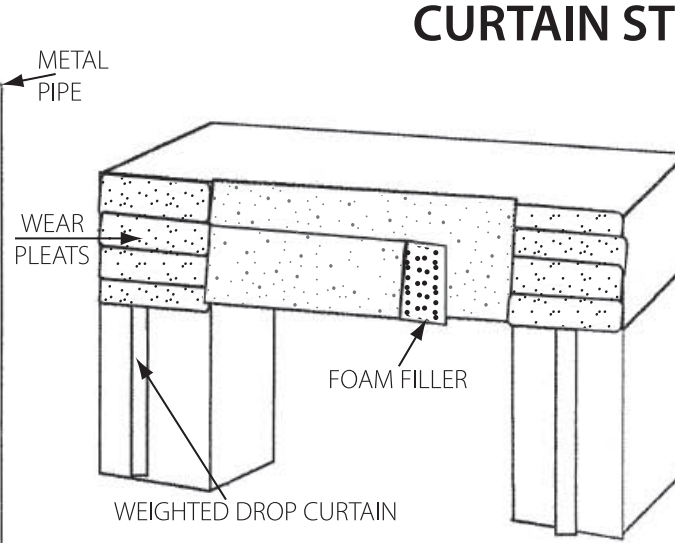
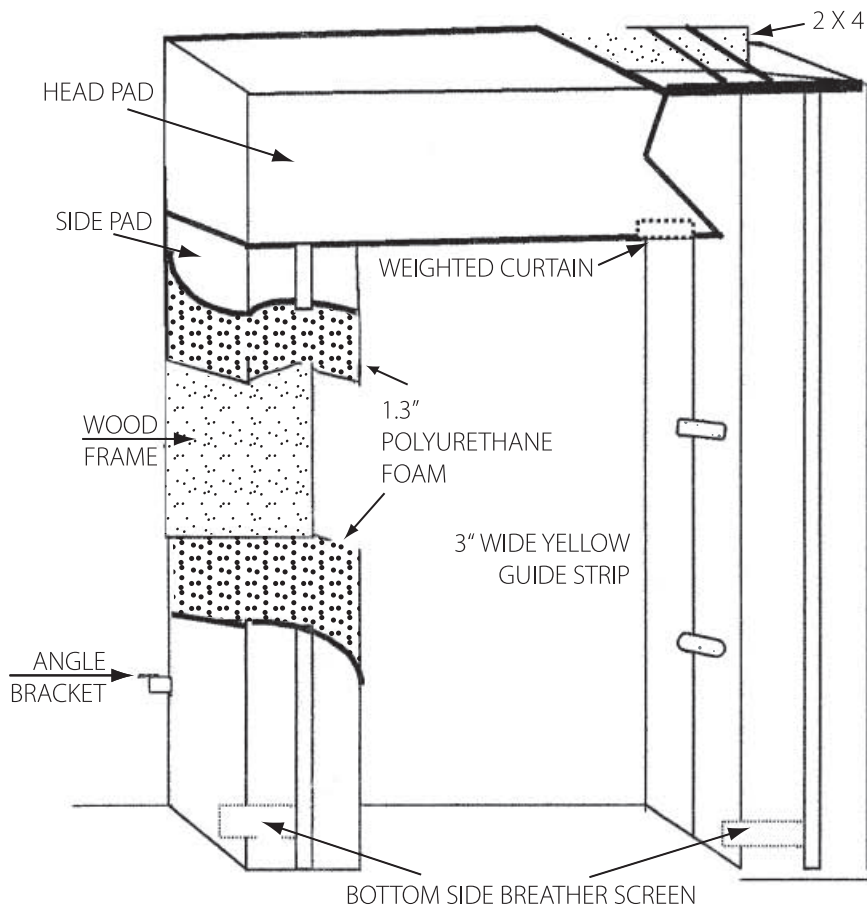
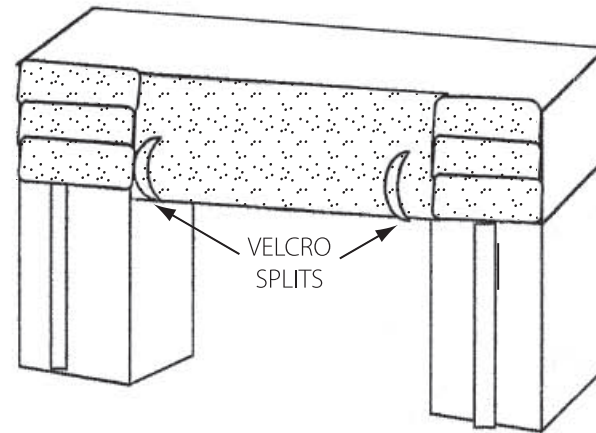


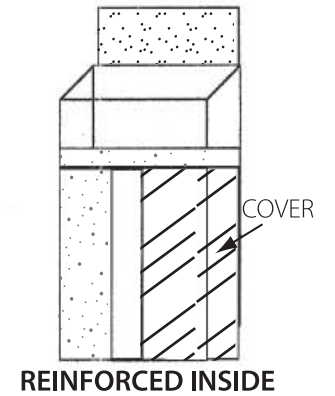
MODEL 80 COMPRESSION SEAL CURTAIN STYLE HEADER



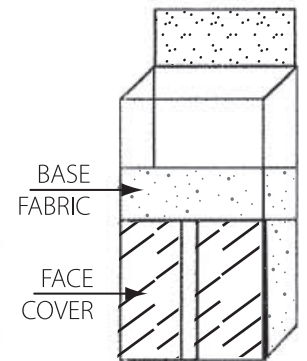
CURTAIN HEADER WITH FOAM



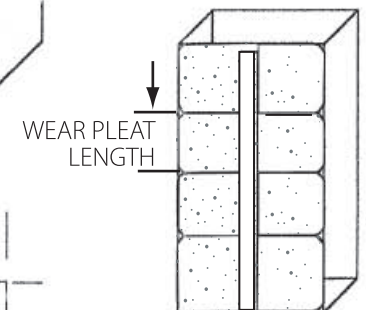
CURTAIN STYLE HEAD PAD



REINFORCED INSIDE

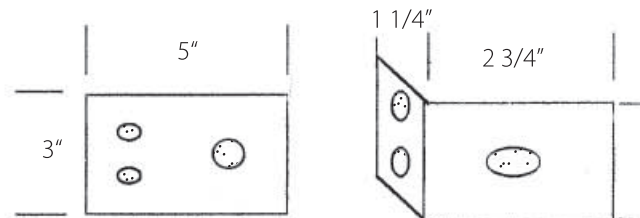


WEAR FACE



WEAR PLEAT SIZES

- 4" EXPOSURE (9" PLEATS)
- 8" EXPOSURE (13" PLEAT)
- 16" EXPOSURE (16" PLEAT)



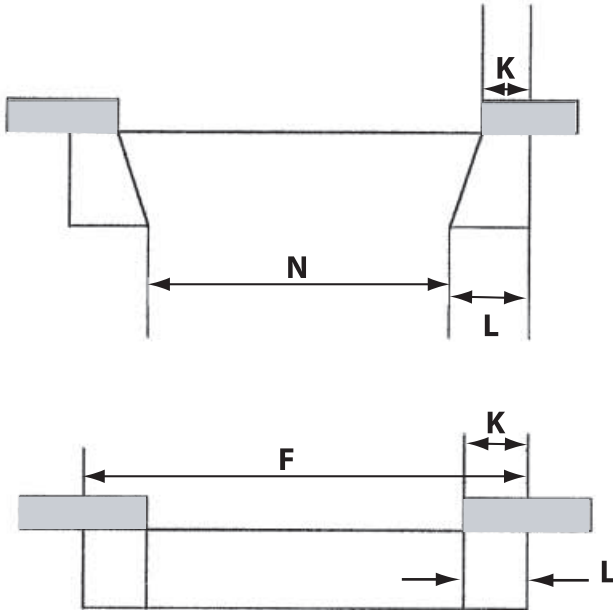
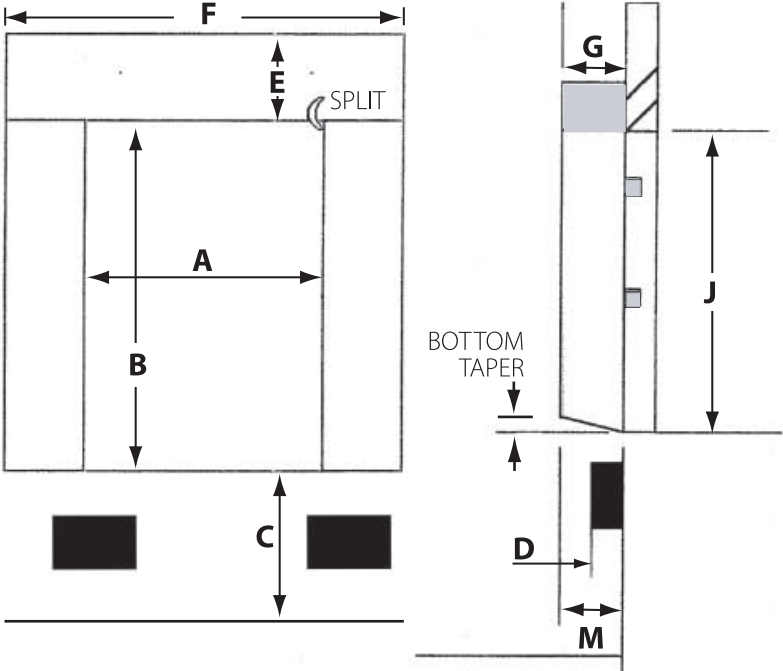
ANGLE AND FLAT MOUNTING BRACKETS

Charges will be assumed by buyer for changes or cancellations to work in process. Buyer hereby accepts responsibility for all sizes and dimensions. This order will not be processed until all acknowledgement forms are signed and returned.

Specification Accepted By: _____

Date: _____

MODEL 80 CURTAIN HEADER



DOOR DIMENSIONS

- A.** DOOR WIDTH _____
- B.** DOOR HEIGHT _____
- C.** DOCK HEIGHT _____
- D.** DOCK BUMPERS + SETBACK =
TOTAL PROJECTION _____
- BLOCK OUT (if required)
PROJECTION _____
FABRIC _____
COLOR _____

CURTAIN STYLE HEADER

- E.** CURTAIN HEIGHT _____
FABRIC _____
COLOR _____
- F.** CURTAIN WIDTH _____

- G.** TOTAL PROJECTION _____
- CORNER SUPER PLEATS
- PLEAT EXPOSURE _____
- FABRIC _____
- COLOR _____

- OPTIONS**
- FACE PROTECTOR _____
FABRIC _____
COLOR _____
 - FRONT HEAD CURTAIN SPLITS
SPLIT HEIGHT _____
 - ADJUSTABLE PULL UP SYSTEM
 - FOAM FACE _____
THICK X HIGH X ID. SIDE
PAD FACE _____

SIDE PAD DATA

- G.** TOTAL PROJ @ TOP _____
- J.** HEIGHT _____
- K.** WIDTH @ REAR _____
- L.** WIDTH @ FACE _____
- M.** TOTAL PROJ. @ BOTTOM _____
- N.** SIDE PAD I.D. _____

OPTIONS

- WEAR FACE
FABRIC _____
COLOR _____
- REINFORCED INSIDE
FABRIC _____
COLOR _____
- WEAR PLEATS
FABRIC _____
COLOR _____
PLEAT EXPOSURE _____
- GALVANIZED STEEL BACK

