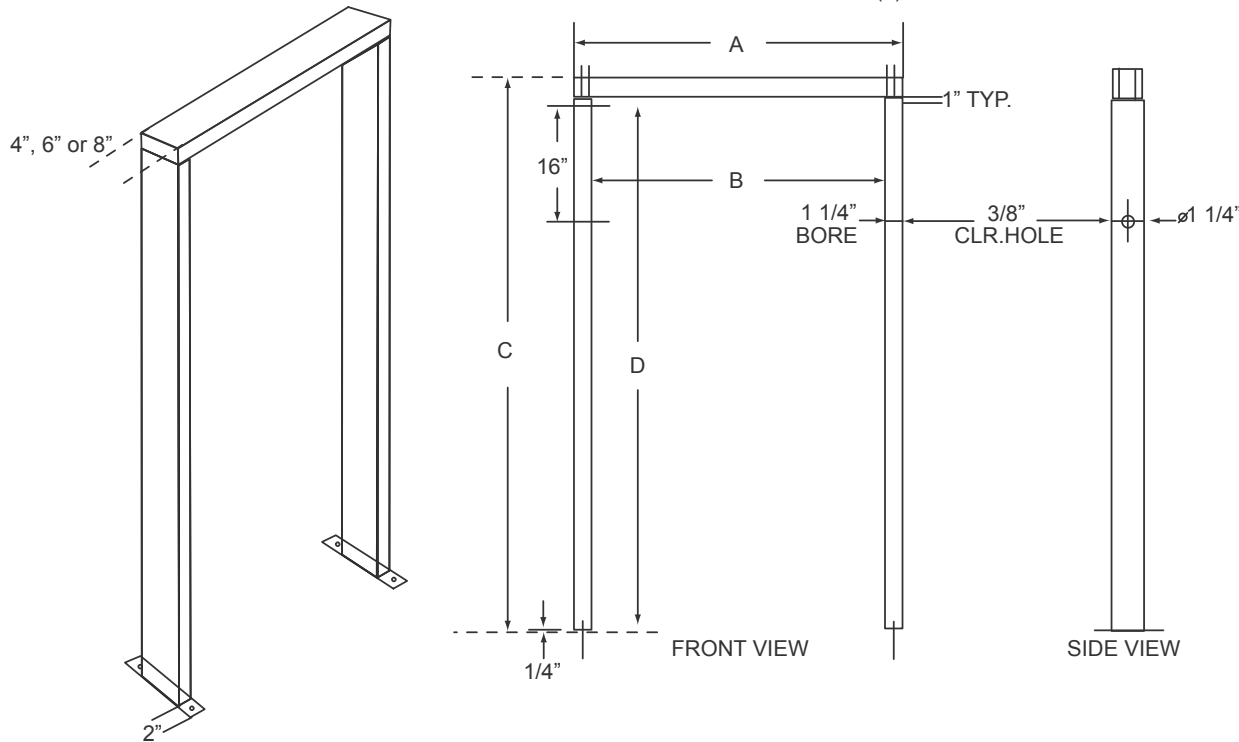


STANDARD DUTY = 2" x 4" X 3/16"  
 HEAVYDUTY = 2" X 6" X 1/4"  
 2" X 8" X 1/4 ALSO AVAILABLE

(2) .375 - 16 TAPTHRU TYP.  
 (2) 3/8" - 16 BOLTS, 1/2" LONG



**National ACCESS DESIGN LLC**

513•351•3400

fax: 866•300•4539

sales@NationalAccessDesign.com

**NAD STRUCTURAL TUBE  
 STEEL DOOR FRAME**

Qty. \_\_\_\_\_

Finished Width \_\_\_\_\_

Finished Height \_\_\_\_\_

**TO CALCULATE A ROUGH OPENING:**

Finished Width & Add 4 1/2" \_\_\_\_\_

Finished Height & Add 2 1/4" \_\_\_\_\_

**PLEASE SPECIFY TUBING SIZE:**

4"

6"

8"

**NOTES:**

All jambs are pre-drilled and  
 tapped for NAD hardware.

**MATERIAL TYPE 14 GAUGE STEEL**

304B-2B Polished Stainless Steel

Mild Steel Factory Primed

Charges will be assumed by buyer for changes  
 or cancellations to work in process. Buyer hereby  
 accepts responsibility for all sizes and dimensions.  
 This order will not be processed until all  
 acknowledgement forms are signed and returned.

Specification accepted by: \_\_\_\_\_

Date: \_\_\_\_\_

**NAD STRUCTURAL TUBE  
 STEEL DOOR FRAME**

JOB NAME/LOCATION

CUSTOMER/LOCATION

CUST. ORDER NO.

CUST. P.O. NO.