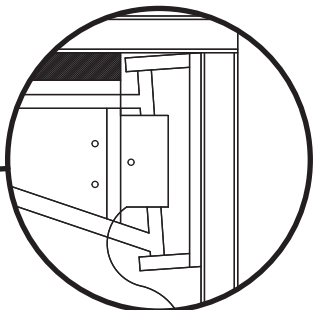
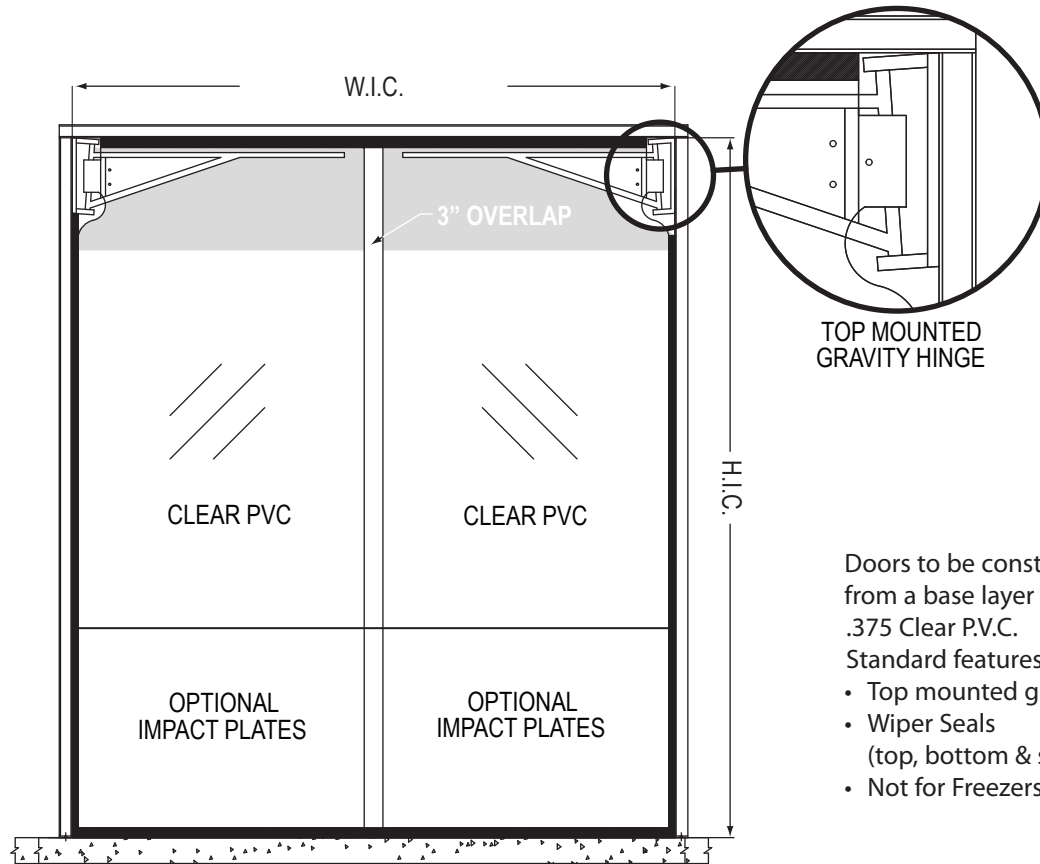


# DOUBLE ACTING "FLEXIBLE" TRAFFIC DOOR



TOP MOUNTED GRAVITY HINGE

Doors to be constructed from a base layer of .250 or .375 Clear P.V.C.  
 Standard features are:

- Top mounted gravity hinges.
- Wiper Seals (top, bottom & sides).
- Not for Freezers.

**National ACCESS DESIGN LLC**  
 (513) 497-9203      nadllc@fuse.net  
 www.nationalaccessdesign.com

**DOOR SPECIFICATION**  
 Opening Width \_\_\_\_\_ x Height \_\_\_\_\_  
 Qty. \_\_\_\_\_

BI-PARTING       SINGLE PANEL  
 L       R

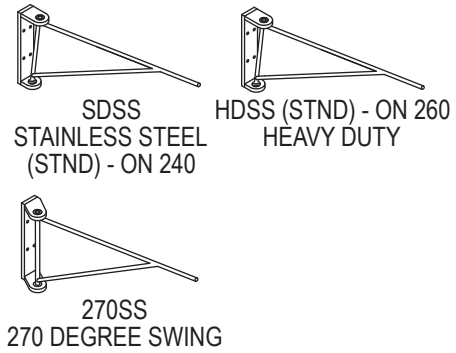
**DOOR MODEL**  
 240 - BASE LAYER .250 CLEAR P.V.C.  
 260 - BASE LAYER .375 CLEAR P.V.C.

**STANDARD COLORS FOR TRIM AND PLATES**  
 BLACK       GREEN

**IMPACT PLATES**  
 CONVEYOR BELT  
 RIGID IMPACT PLATES WITH SS RIVETS

**IMPACT PLATE HEIGHT**  
 12"       24"  
 36"       48"       OTHER \_\_\_\_\_

**OPTIONS FOR AIR PRESSURE**  
 SPRING LOADED HINGES  
 CLOSING MAGNETS



**Charges will be assumed by buyer for changes or cancellations to work in process. Buyer hereby accepts responsibility for all sizes and dimensions. This order will not be processed until all acknowledgement forms are signed and returned.**

Specification accepted by: \_\_\_\_\_

Date: \_\_\_\_\_

**NAD 2400 or 2600 FLEX DOOR**

\_\_\_\_\_

JOB NAME/LOCATION

\_\_\_\_\_

CUSTOMER/LOCATION

\_\_\_\_\_

CUST. ORDER NO.

CUST. PO ORDER NO.